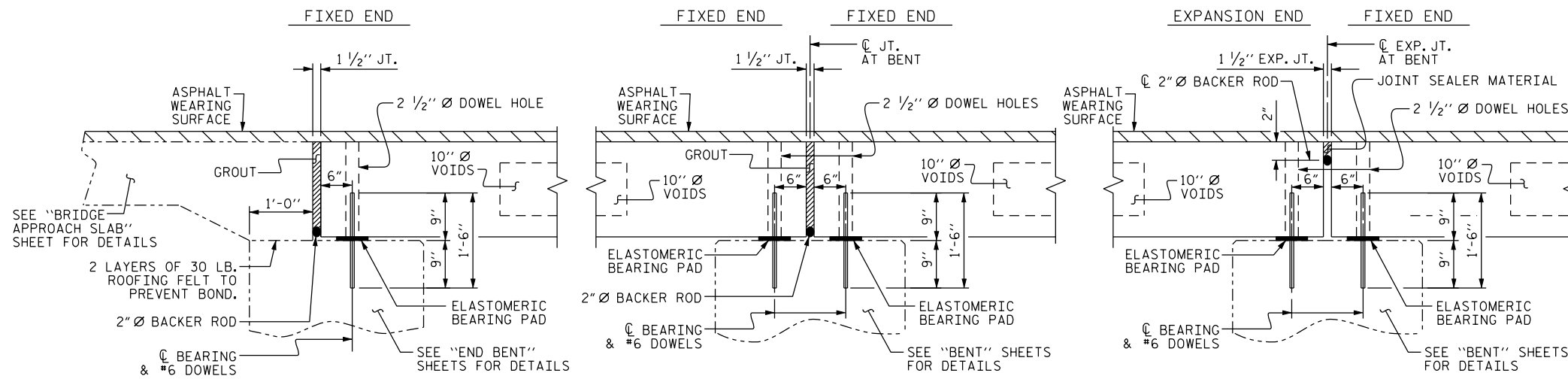


PART PLAN-EXTERIOR SECTION

NOTE: EXTERIOR SECTION SHOWN-INTERIOR SECTION SIMILAR EXCEPT OMIT S3 BARS.

TYPICAL SECTION

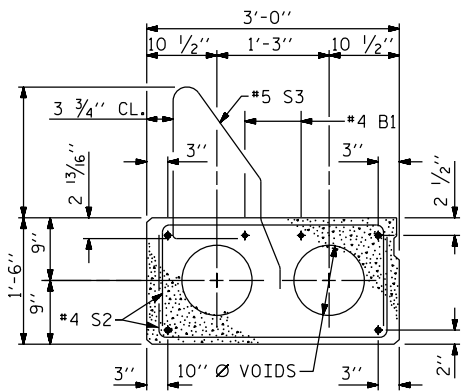


GROUTED RECESS AT END OF POST-TENSIONED STRAND-CORED SLABS

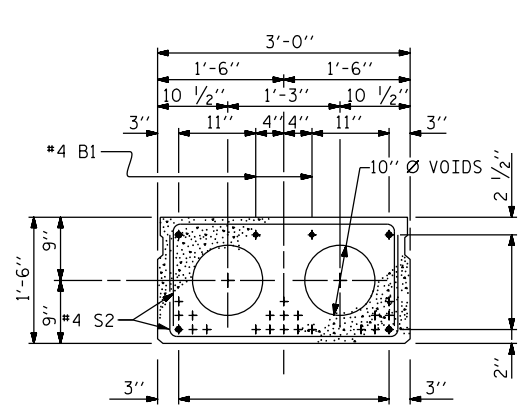
SECTION AT END BENT

SECTION AT BENT

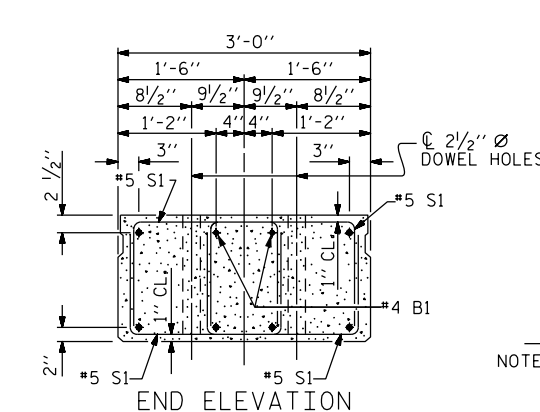
SECTION AT BENT



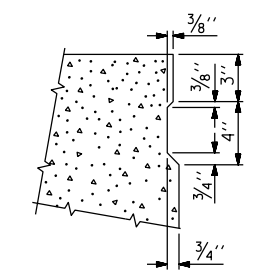
EXTERIOR SLAB SECTION
(FOR PRESTRESSED STRAND LAYOUT, SEE INTERIOR SLAB SECTION)



INTERIOR SLAB SECTION
0.6" Ø LOW RELAXATION STRAND LAYOUT



END ELEVATION
SHOWING PLACEMENT OF DOUBLE STIRRUPS AND LOCATION OF DOWEL HOLES (STRAND LAYOUT NOT SHOWN)
INTERIOR SLAB SECTION SHOWN-EXTERIOR SLAB SECTION SIMILAR EXCEPT SHEAR KEY LOCATION.



SHEAR KEY DETAIL

NOTE: OMIT SHEAR KEY ON OUTSIDE FACE OF EXTERIOR CORED SLABS.

ASSEMBLED BY :	DATE :
CHECKED BY :	DATE :
DRAWN BY : WJH 4/89	REV. 10/17/00 RWW/LES
CHECKED BY : FCJ 5/89	REV. 1/10/01RR RWW/LES
	REV. 5/1/06R TLA/GM

PROJECT NO. _____
_____ COUNTY
STATION: _____
SHEET _ OF _

REVISIONS						SHEET NO.
NO.	BY:	DATE:	NO.	BY:	DATE:	TOTAL SHEETS
1			3			
2			4			